

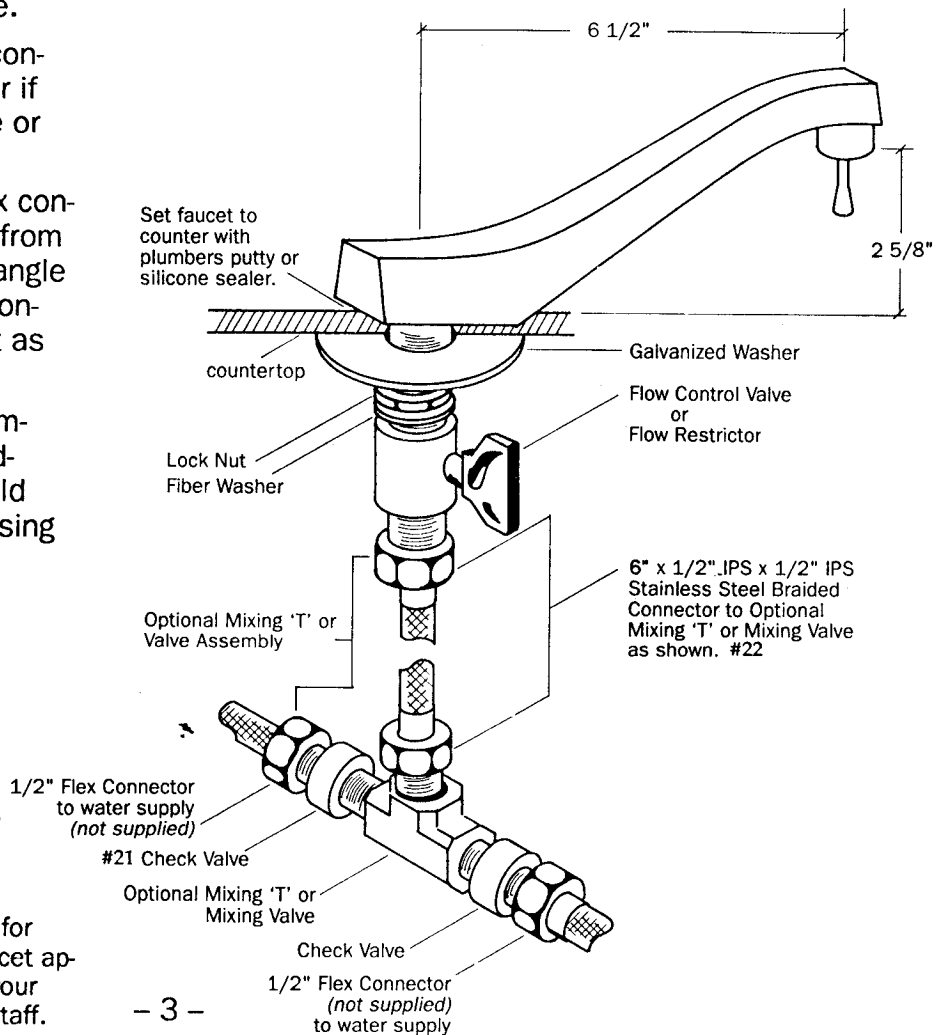
# INSTALLATION INSTRUCTIONS

To install the Touch & Flow Faucet follow these easy instructions.

1. Shut off your angle stop water supply and remove old faucet.
2. Clean away all dirt and putty from around faucet hole.
3. FLUSH WATER LINES THOROUGHLY TO REMOVE RUST AND DIRT.
4. Place plumbers putty or silicone seal (not supplied) where faucet meets counter top or sink top. Silicone seal will help prevent faucet from moving side to side.
5. Install Touch & Flow faucet through center hole.
6. Install galvanized washer over end of faucet nipple then install lock nut and tighten. Be careful not to overtighten.
7. Install flow control valve. Be sure fiber washer is in place.
8. Connect to existing cold water supply or to tempered (warm) water supply.

## INSTRUCTIONS WHEN USING OPTIONAL MIXING TEE OR MIXING VALVE ASSEMBLY

1. Follow above instructions one through six.
2. Attach upper end of flex connector supplied with tee or mixing valve to flow control or faucet nipple.
3. Attach lower end of flex connector to flow restrictor if used or to optional tee or mixing valve.
4. Install stainless steel flex connectors (not supplied) from tee or mixing valve to angle stops. Note: be sure connectors are as straight as possible.
5. When using tee, adjust temperature of water by adjusting your hot and cold angle stops while pressing Touch & Flow lever.
6. When using mixing valve, press faucet lever and adjust temperature at mixing valve. Water will automatically remain at desired temperature as long as hot water is supplied.



NOTE: there are a variety of options for mixing valves in single and multi-faucet applications. Please call and discuss your particular needs with our technical staff.