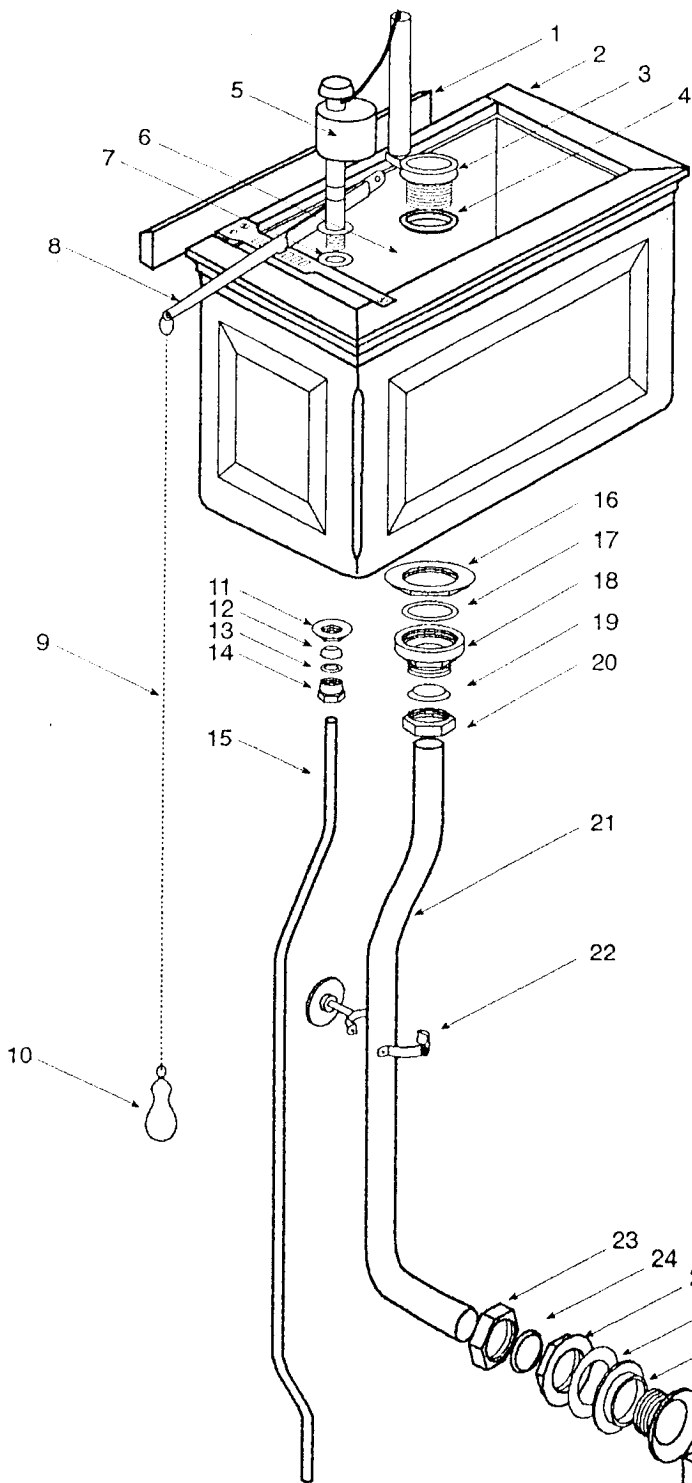


# BATHROOM Machinery

495 Main Street Murphys CA 95247  
(800) 255-4426 FAX (209) 728-2320

# High Tank Installation Model 76-250



## PARTS LIST:

	PART NUMBER
1 Hanger	Included with 2
2 Oak or Mahogany Shell	95-MHT
3 Flush Valve Assembly	51-135
4 Rubber Valve Washer	90-SW
5 Ballcock Assembly	05-400A
6 Polyethylene Liner	76-LINER
7 Rubber Ballcock Washer	Included with 5
8 Lever with Mount	79-S183
9 Beaded Chain	15-02
10 Porcelain Knob	79-S166
11 Ballcock Retaining Nut	Included with 5
12 Rubber Cone Washer	Included with 5
13 Friction Washer	Included with 5
14 B-Nut	Included with 5
15 Fill Tube	02-163
16 Flush Valve Retaining Nut	Included with 3
17 Rubber Spud Reducer Washer	Included with 18
18 Spud Reducer	01-303
19 Polyethylene Washer	Included with 20
20 Slip Nut	81-302
21 Flush Tube	76-PIPE
22 Seat Bumper / Pipe Support	24-97
23 Slip Nut	81-302
24 Polyethylene Washer	Included with 23
25 Spud Retaining Nut	Included with 28
26 Friction Washer	Included with 28
27 Rubber Spud Washer	Included with 28
28 Spud Assembly	90-08S
29 1.6 GPF Bowl	33-644
30 Ceramic Bolt Caps	6-LR or 6-LO
31 Wax Ring	15-WR
32 Closet Screws	15-CSB
33 Seat - Oak or Mahogany	76-101 or 76-102
34 Toilet Seat Hinge	81-1922D

**BATHROOM  
Machinery**

495 Main Street Murphys CA 95247  
(800) 255-4426 FAX (209) 728-2320

